

DRAWING NUMBER

D15021

THIRD ANGLE PROJECTION

REMOVE ALL SHARP EDGES TO P & G. SPEC. 11-003

IF IN DOUBT, ASK

SPECIFICATION DATA

ALL SPECIFICATION DETAILS
CONTAINED IN BOFORS DOCUMENT
N° 11025-1001 AND 0-805-154

MECHANICAL -

- MECHANICAL OPERATING ANGLE $\pm 22.5^\circ \pm 1^\circ$
- LEVER OPERATING FORCE FOR 5° INCREASING DEFLECTION (MEASURED 5mm FROM SHAFT END) $5\text{ N} \pm 0.5\text{ N}$
(509 gm \pm 50 gm)
- LEVER FORCE, FULL DEFLECTION (X AND Y AXES) $10\text{ N} \pm 2\text{ N}$
(1018 gm \pm 200 gm)
- OPERATING SHAFT SEALED

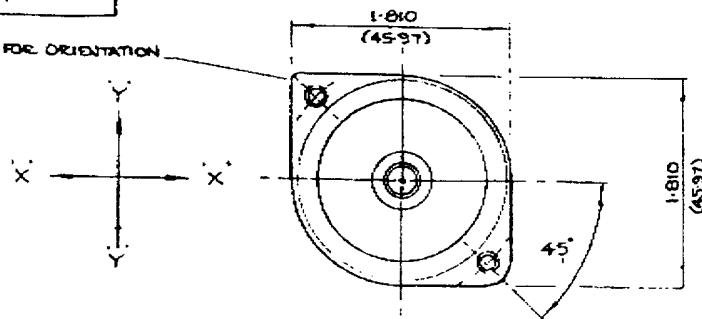
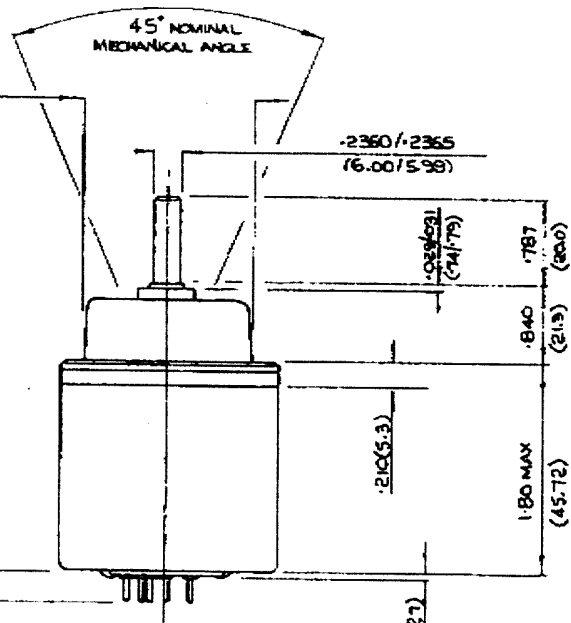
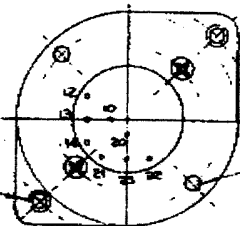
ELECTRICAL -

- TOTAL RESISTANCE (BOTH AXES) $\text{MIN}^m 1\text{ k}\Omega$
- ELECTRICAL TRAVEL BETWEEN CENTRE AND END TRIPS $\pm 20.5^\circ \pm 1^\circ$
- CONTACT RESISTANCE $2000\ \Omega\ \text{MAX}^m$
- OFFSET VOLTAGE WITH LEVER RELEASED $\text{MAX}^m \pm 3\text{ mV}$ WITH $\pm 10\text{ V}$
- DEFLECTION FOR -25 mV TO $+25\text{ mV}$ OUTPUT $\text{MAX}^m 1.2^\circ$
- RESOLUTION $\text{VIRTUALLY INFINITE}$
- ELECTRICAL OVERTRAVEL MUST BE LONG ENOUGH TO PREVENT OPEN CIRCUIT CONDITION.
- INSULATION RESISTANCE $> 50\text{ M}\Omega$ AT 500 V dc

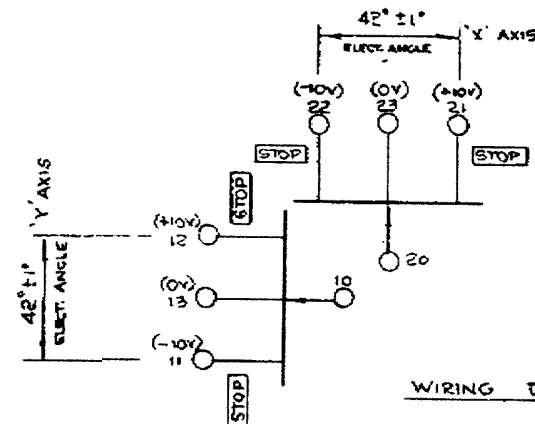
ENVIRONMENTAL -

- OPERATING TEMPERATURE RANGE -40°C TO $+70^\circ\text{C}$

SMALL RADIUS FOR ORIENTATION

HOLE IN MOUNTING PANEL
TO BE 1.450 (36.83) DIA.
TO CLEAR FLEXIBLE SEAL2 ATTACHMENT HOLES
THREADED M4 x .70 ON
2.000 (50.80) PCD

VENTILATION HOLES - 2 OFF



IMPORTANT:-

CONNECTION DETAILS

PINS 12 & 21 +10V dc
13 & 23 0Vdc (CENTER TRIP)
11 & 22 -10V dc
10 WIPER Y AXIS
20 WIPER X AXIS

WIRING DIAGRAM

SALES OFFICE

PENNY & GILES, LTD. CHRISTCHURCH, HANTS

REV	DATE	AMENDMENTS	ISSUE	DATE	AMENDMENTS
1	21.11.84	CONDUCTIVE PLASTIC TRACES ADDED 0153/14			

MATERIAL -

TOLERANCES UNLESS OTHERWISE
STATED - $\pm .010$ (0.25)

PROTECTIVE FINISH -

SCALE - FULL SIZE

DIMENSIONS IN: - INS (MM)

TITLE
BOFORS
SHORT JOYSTICK (CONDUCTIVE
PLASTIC AND 45° ANGLE)

DRAWING NUMBER

D15021

ON
S
34
021
42
562
68
31
3986
1937
46
7487
354
141
ON
S

447