



**Penny & Giles
Conductive Plastics Limited
Rotary Products Division**

Advance Factory 36
Cwmfelinfach Gwent
NP1 7HZ United Kingdom
Telephone: (0495) 200860
Telex: 498015 Fax: (0495) 200805

A member of the
Penny & Giles Blackwood group of companies

CUSTOMER : P&G International
(MAR-EL)

TYPE : RCP18/2S

SPECIFICATION : D20493

REV : 5 DATE : 17/11/88

© PENNY & GILES CONDUCTIVE PLASTIC LIMITED.
ROTARY PRODUCTS DIVISION.

This document and any information contained therein are confidential and the copyright of Penny & Giles Conductive Plastics Ltd. Without infringement neither the whole nor any extract may be disclosed, loaned, copied or used for manufacturing or any other purpose whatsoever without their prior written consent and no liability is accepted for loss or damage from any cause whatsoever from the use of this document.

Directors
R W G Rose OBE (Chairman)
T M S Jones (Managing)
K N Hillman (Manufacturing)

Company Secretary
T S S L Gower

Registered in England number 2087629
Registered office as above

A Penny & Giles International company

INDEX

Part. 1.

1.1.	Title Page	Page 1
1.2.	Index	Page 2
1.3.	Specification	Page 3

Part. 2.

2.1.	Diagrams	Page 4. Page 5.
------	----------	--------------------

Part. 3.

3.1.	Test Certificate and Record of Revision	Page 6.
------	--	---------

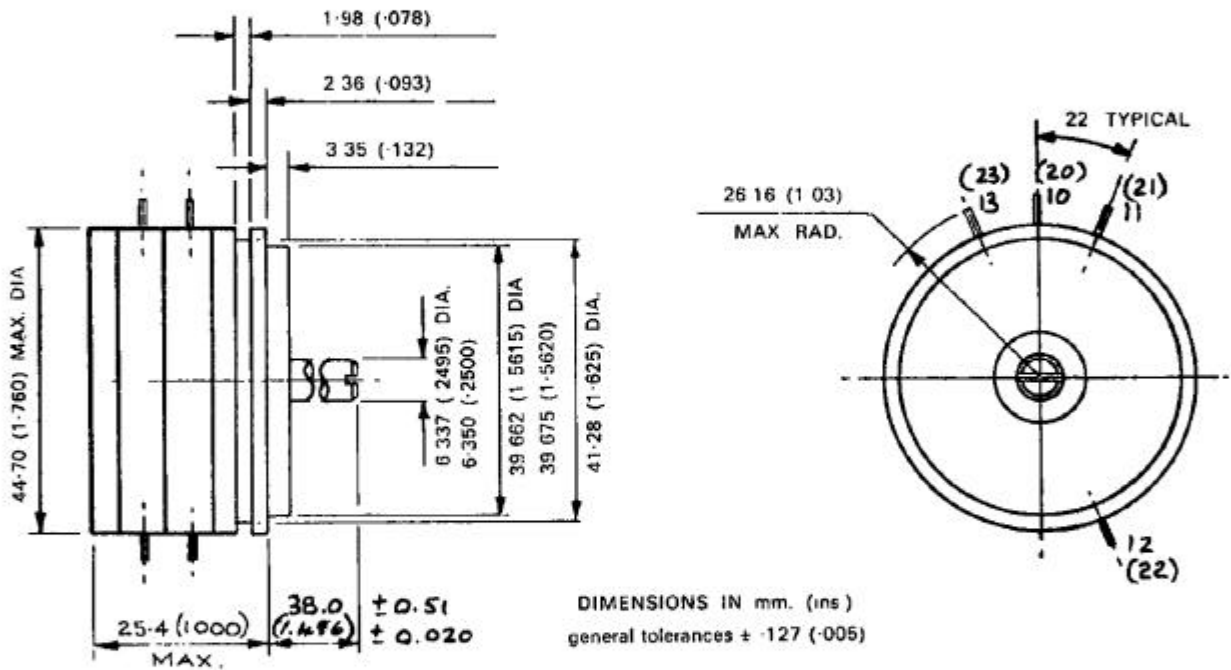
SPECIFICATION

D. 20493.....

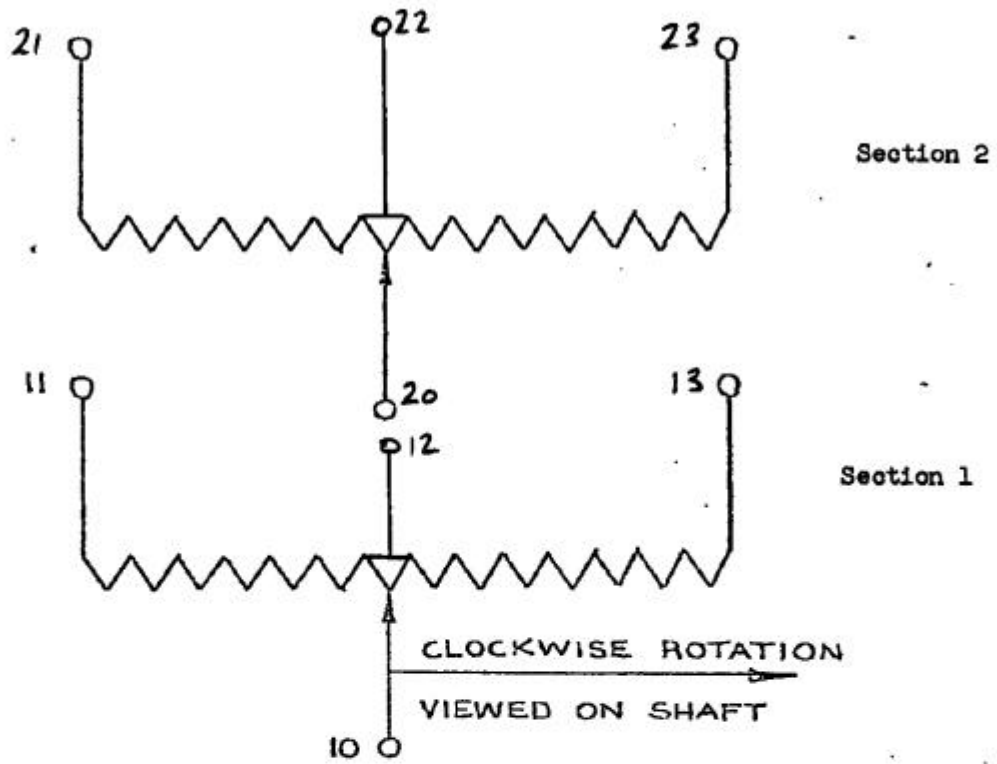
DESCRIPTION.	Rotary Conductive Plastic Potentiometer Type RCP18/23	
	<u>BOTH SECTIONS</u>	
RESISTANCE $\pm 10\%$	1000	ohms
ELECTRICAL ANGLE $\pm 1^\circ$	352	$^\circ$
LINEARITY, INDEPENDENT.	$\pm 0.5\%$	(Over each half, excluding taps)
TAPPING	Current centre tap @	$\frac{\text{electrical angle}}{2} \pm 1^\circ$
PHASING	Phase at centre of taps	$\pm 1^\circ$
RESOLUTION	Virtually infinite	
POWER DISSIPATION	3 Watts at 20°C	
INSULATION AT 500 V. D. C.	100 Mohms min	
TEMPERATURE RANGE	-55° to $+125^\circ\text{C}$	
MECHANICAL ANGLE	360	$^\circ$
STARTING TORQUE	24 gm cm max	
SHAFT RUN OUT	inches T. I. R.	0.001
LATERAL RUN OUT	inches T. I. R.	0.002
PILOT RUN OUT	inches T. I. R.	0.001
SHAFT END PLAY.	inches	0.000 to 0.003

Rear of unit to be marked with :-
 Penny & Giles ref D20493 iss 5 .VAR.*
 Serial No -----

* Note see page 6



* Note :- see page 6 for current build details



VAR.	F.B.H. SHAFT. DESCRIPTION	CONTACT SPRING CARRIER	TRACK STATE
VAR 1	WAVEY WASHER EXTERNAL.	SPRING CARRIER	R.C.P. 18
(D22810) VAR 2	EXT/INT SOLID SHIM	RIGID ARM	REP 15 TRACK ON 18 SUBSTRATE
(D22851) VAR 3	INTERNAL SOLID SHIM	RIGID ARM LOCATED.	REP 15 TRACK ON 18 SUBSTRATE.
VAR 4	INTERNAL SOLID SHIM	FLEXIBLE WIPER	18 TRACKS/ 18 SUBSTRATE.
VAR 5	SCREWED FRONT BEARING HOUSING	FLEXIBLE WIPER	18 TRACKS/ 18 SUBSTRATE
VAR 6	"	FLEXIBLE WITH TOP HAT SECTION	"
VAR 7.	INTERNAL SOLID SHIM	FLEXIBLE WIPER 'TOP HAT'	REP 18 TRACK

Test Certificate and Record of Revisions

SPECIFICATION. Prepared by... *[Signature]* ... Date... *7.1.77*...

Approved by... *[Signature]* ... Date... *7.1.77*...

REVISION	Changes	Checked	Date
1	New Issue.	<i>[Signature]</i>	<i>7.1.77</i>
2	Page 6 added	<i>[Signature]</i>	<i>20-12-82</i>
3	VAR 6 added page 6	<i>[Signature]</i>	<i>20-12-82</i>
4.	VAR no. & iss. no. added to labelling instruction	<i>[Signature]</i>	<i>10-4-85</i>
5	CHROTOS	<i>[Signature]</i>	<i>22/11/85</i>