

USED ON

L21617

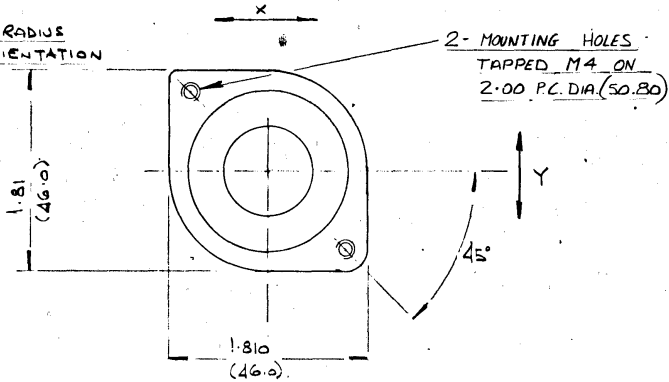
Var 40184

C.C.
Q.C.
SALES

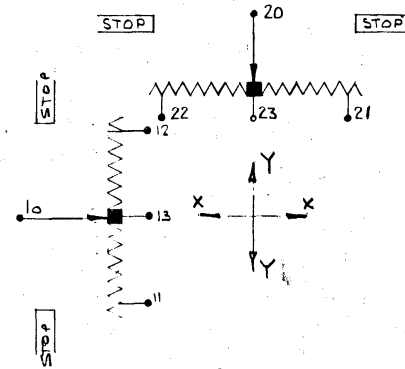
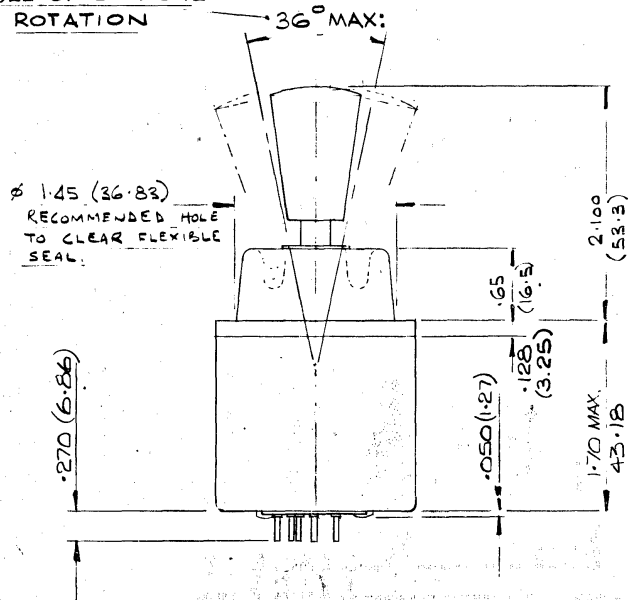
USED ON

D.I.S.

SMALL RADIUS FOR ORIENTATION



ANGLE OF CONICAL ROTATION



SPECIFICATION

RESISTANCE	2KΩ ± 10%
POWER DISSIPATION	.5 W AT 20°C
CENTRE TAP WIDTH	6% TO 8% OF TRAVEL
CENTRE TAP POSITION	50% APPLIED V ± 3%
INSULATION	> 50 MΩ AT 500 Vdc.
TEMPERATURE RANGE	-20°C TO +70°C
STICK FORCE	300 gm FOR FULL SCALE DEFLECTION
ELECTRICAL ANGLE	32° ± 2°

JOYSTICK WILL SELF CENTRE SUCH THAT THE VOLTAGE BETWEEN THE WIPER & CENTRE TAP IS LESS THAN 0.5% V APPLIED.

REF. CUSTOMER DRG. 4522-111-50471

CHECKED						MATERIAL :-	SCALE :- FULL SIZE	PENNY & GILES, LTD. CHRISTCHURCH, HANTS.
B.C.							DIMENSIONS IN :- IN. (mm)	
TRACED						TOLERANCES UNLESS OTHERWISE STATED :- ± 0.1 (0.25)	TITLE	DRAWING NUMBER
DRAWN	1A	22.2.89	CUSTOMER DRG NO 59471 WAS 5947	CH/6627/5		PROTECTIVE FINISH :- CLEAN	JOYSTICK CONTROLLER (JS2 'MINI-STICK')	D40184
M BENTLEY	ISSUE	DATE	AMENDMENTS	ISSUE	DATE	AMENDMENTS		