

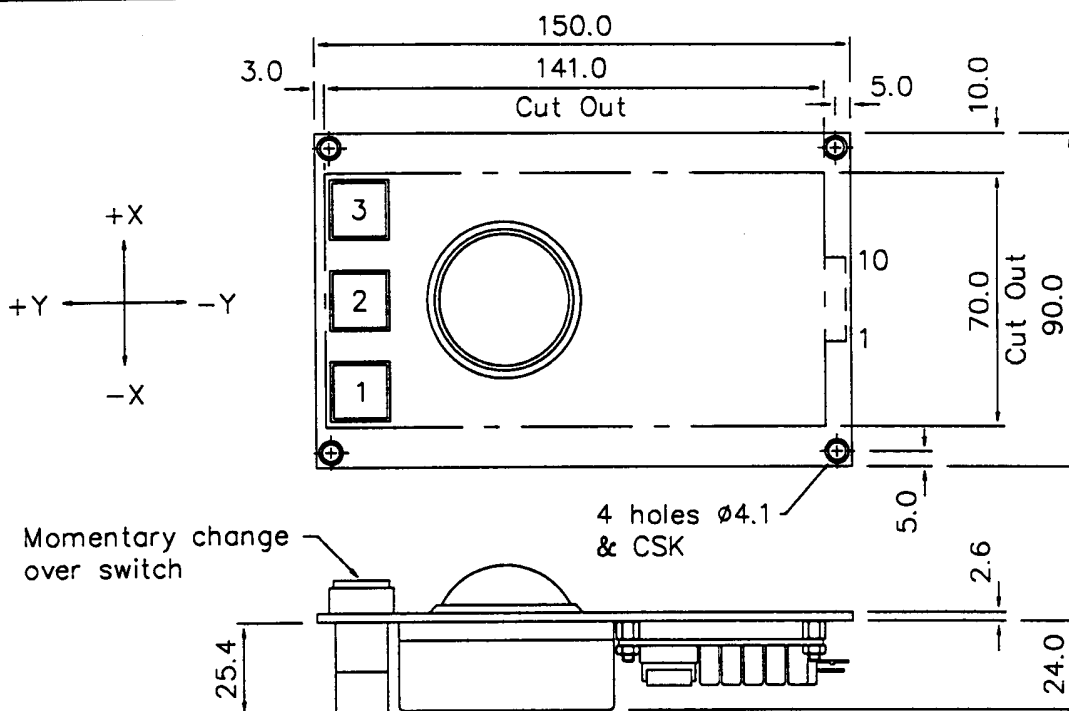
DRAWING NUMBER
DS43109

3rd ANGLE PROJECTION

USED ON
L64962

D or
CAT No

M.A/S.A



Specification

- Ball ~ ø1.5" colour: black.
- Facia ~ 12 swg mild steel, zinc plated & powder coated to BS00 A 07, fine matt texture.
- Resolution ~ 800 edges per ball rev.
- Connector ~ 10 way male square pin 2.54mm pitch header.
- Supply ~ +5V d.c ±5% @ 70mA typical.
- Output ~ RS232 levels, format 22 (microsoft), 1200 baud.

Pin Connections

Pin	Description
1	0V gnd
2	+5V
3	Tx
4	Rx
5	N/C
6	Busy
7	Connected internally
8	Switch 1
9	Switch 2
10	Switch 3

ISSUE	1	2	3	4	4A	
DATE	24.10.87	29.4.91	6.2.92	2.6.92	6.1.94	
CHANGE	CH8446	CH8446.3	CH8446.5	CH8446.6	CH8446.8	
MATERIAL	-		FINISH	-		TOL.
APP				±0.5	SCALE	-
CHKD					DIMS	mm

PENNY + GILES

Penny & Giles
Computer Products LTD
Christchurch Dorset.
Tel (0202) 481751

DRAWN R.HARNETT TITLE 1.5" FACIA MOUNTED TRACKERBALL MICROSOFT OUTPUT

SIZE A4 DRAWING NUMBER DS43109