

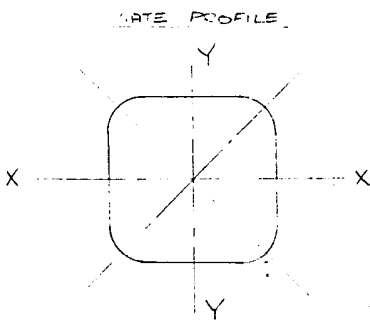
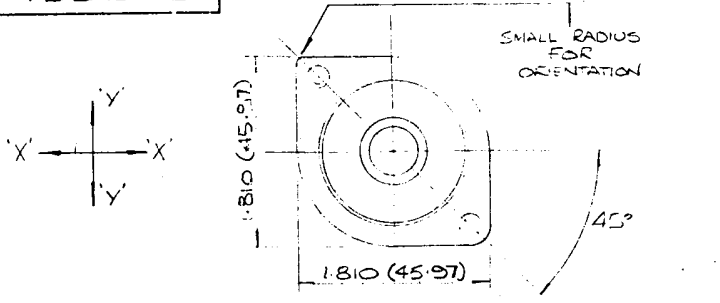
EJ:RPAZ

DRAWING NUMBER  
**D43590**

**THIRD ANGLE PROJECTION**

REMOVE ALL SHARP EDGES TO P. & G. SPEC. 11-003  
**IF IN DOUBT, ASK**

USED ON  
WHEELCHAIR  
LEADERS  
W27606



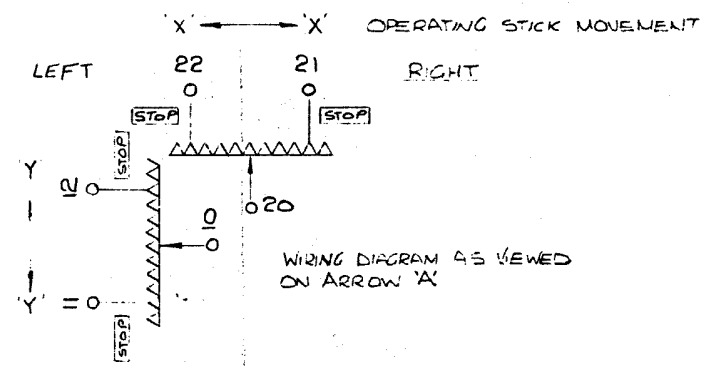
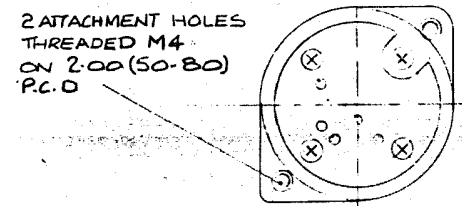
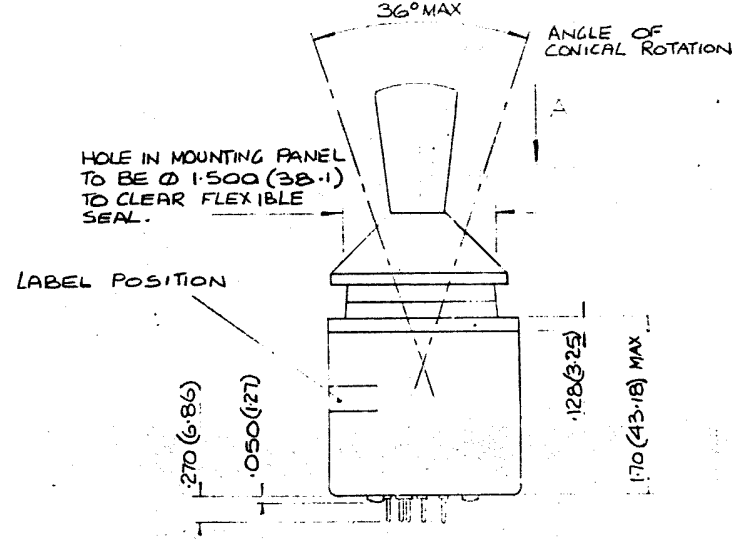
**SPECIFICATION DATA**

RESISTANCE VALUE AXIS XX 2.5 KΩ  
RESISTANCE VALUE AXIS YY 2.5 KΩ  
RESISTANCE TOLERANCE ±15%  
RESOLUTION VIRTUALLY INFINITE

INSULATION RESISTANCE >50MΩ @ 500VDC  
TEMPERATURE RANGE -20°C TO +70°C  
FORCE ROD AT END OF STICK FOR F.S.D. 300g  
JOYSTICK WILL SELF CENTRE SUCH THAT THE VOLTAGE AT PINS 10 AND 20 IS 50% ±3% OF APPLIED VOLTS  
MAX CONTACT RESISTANCE 2KΩ  
GATE PROFILE SEE DIAGRAM

SAVED  
CL  
C2

USED ON  
D.I.S.



HECKED	B.c.	3	20.11.90	C/8571/5	2 ATTACHMENT HOLES 2.00 (50.80) M4 DIA					MATERIAL :-	SCALE :- FULL SIZE	PENNY & GILES, LTD. CHRISTCHURCH, DORSET
RACED		2	9.11.90	C/8571/4	SPEC DIFFERENCES RESIDUAL VOLTAGES DELIVERED					TOLERANCES UNLESS OTHERWISE STATED :- ±.010 (0.25)	DIMENSIONS IN:- (MM)	
RAWN		1	8-3-89	C/8571	PRODUCTION					PROTECTIVE FINISH :-	TITLE <b>SHORT JOYSTICK (MINISTICK) (HYBRID JS2)</b>	
BENTLEY	ISSUE		DATE		AMENDMENTS	ISSUE	DATE		AMENDMENTS			

SIZE B