

DRAWING NUMBER:

D44063

USED ON

LEANE
WE11399

CC
QC

S
47994

©

DESIGN
COPYRIGHT
RESERVED:

Data Sheet

THIRD ANGLE
PROJECTION



SIZE
A3

D.O. REFS.

SUB-MASTER
FROM:-

APPROVED

I. HURST

CHECKED

M.B.

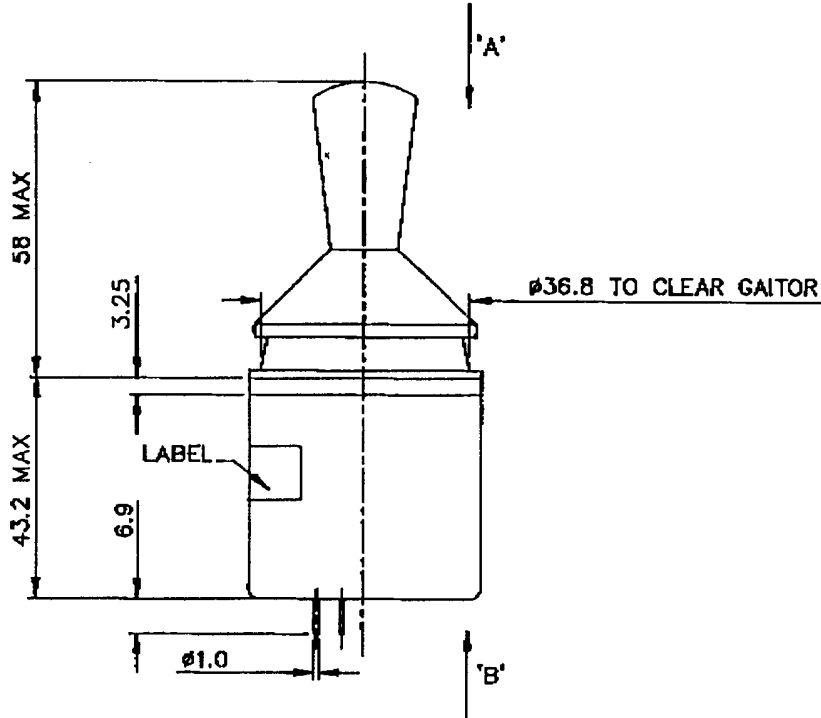
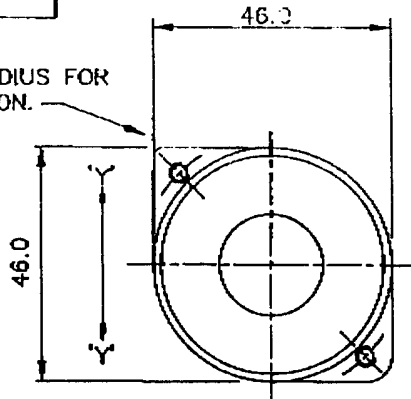
DRAWN

M. BOOTE

Penny+Giles

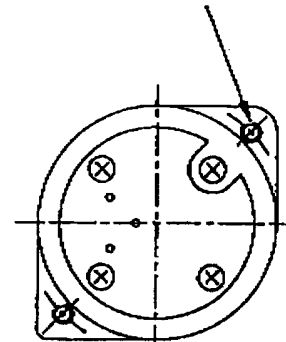
POSITION SENSORS LIMITED,
Christchurch,
Dorset, U.K.

SMALL RADIUS FOR
ORIENTATION.



VIEW LOOKING IN
DIRECTION OF ARROW 'B'

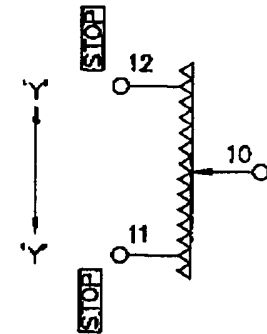
2 MOUNTING HOLES
M4 ON 50.8 PCD



SPECIFICATION DATA

Resistance $\pm 15\%$ _____ 2.5K Ω
Lever operating angle _____ 36°
Resolution _____ Virtually infinite
Axis control _____ 'Y' Only
Power dissipation _____ 0.5W
Insulation resistance _____ >50M Ω @ 500Vdc
Operational temperature range _____ -20°C to +70°C
Contact resistance _____ 2.0K Ω max
Lever operating force _____ 300g fsd
Wiper load impedance _____ >500k Ω

WIRING DIAGRAM VIEWED ON ARROW 'A'



ISSUE 1
DATE 2-4-91
CHANGE 8902/1

MATERIAL:—

TOLERANCES

$\pm .25$

SCALE: 1:1

DIMS: mm

FINISH:—

TITLE:

HJS1 MINI STICK

DRAWING NUMBER:

D44063