

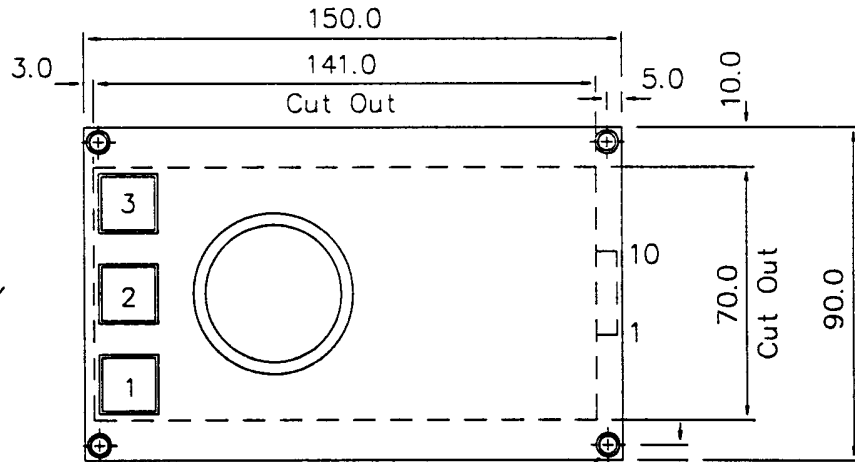
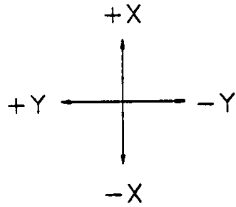
DRAWING NUMBER
DS48239

3rd ANGLE PROJECTION

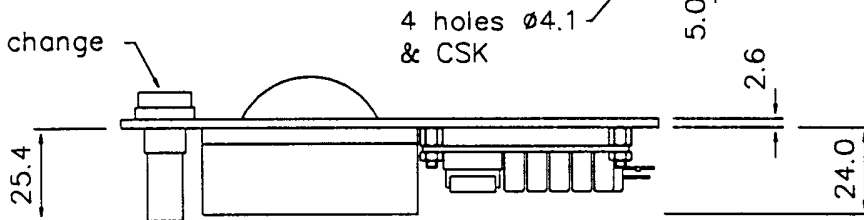
USED ON

D or
CAT No

M.A/S.A



Momentary change
over switch



Specification

- Ball ~ $\varnothing 1.5$ " colour: black.
- Facia ~ 12 swg mild steel zinc plate, painted grey to BS00 A 07.
- Resolution ~ 800 edges per ball rev.
- Connector ~ 10 way male square pin 2.54mm pitch header.
- Supply ~ +5V d.c $\pm 5\%$ @ 70mA typical.
- Output ~ RS232 levels, format 24 (DEC MM), 4800 baud.

Pin Connections

Pin	Description
1	0V gnd
2	+5V
3	Tx
4	Rx
5	N/C
6	Busy
7	Connected internally
8	Switch 1
9	Switch 2
10	Switch 3

ISSUE	1	2			
DATE	14.1.92	5.6.92			
CHANGE	CH254	CH254.2			
MATERIAL	-		FINISH	-	TOL. ± 0.5
APP					SCALE -
CHKD					DIMS mm

PENNY + GILES

Penny & Giles
Computer Products LTD
Christchurch Dorset.
Tel (0202) 481751

DRAWN
R.HARNETT

TITLE
1.5" FACIA MOUNTED TRACKERBALL
DEC VAX 3100 COMPATIBLE

SIZE
A4

DRAWING NUMBER
DS48239