

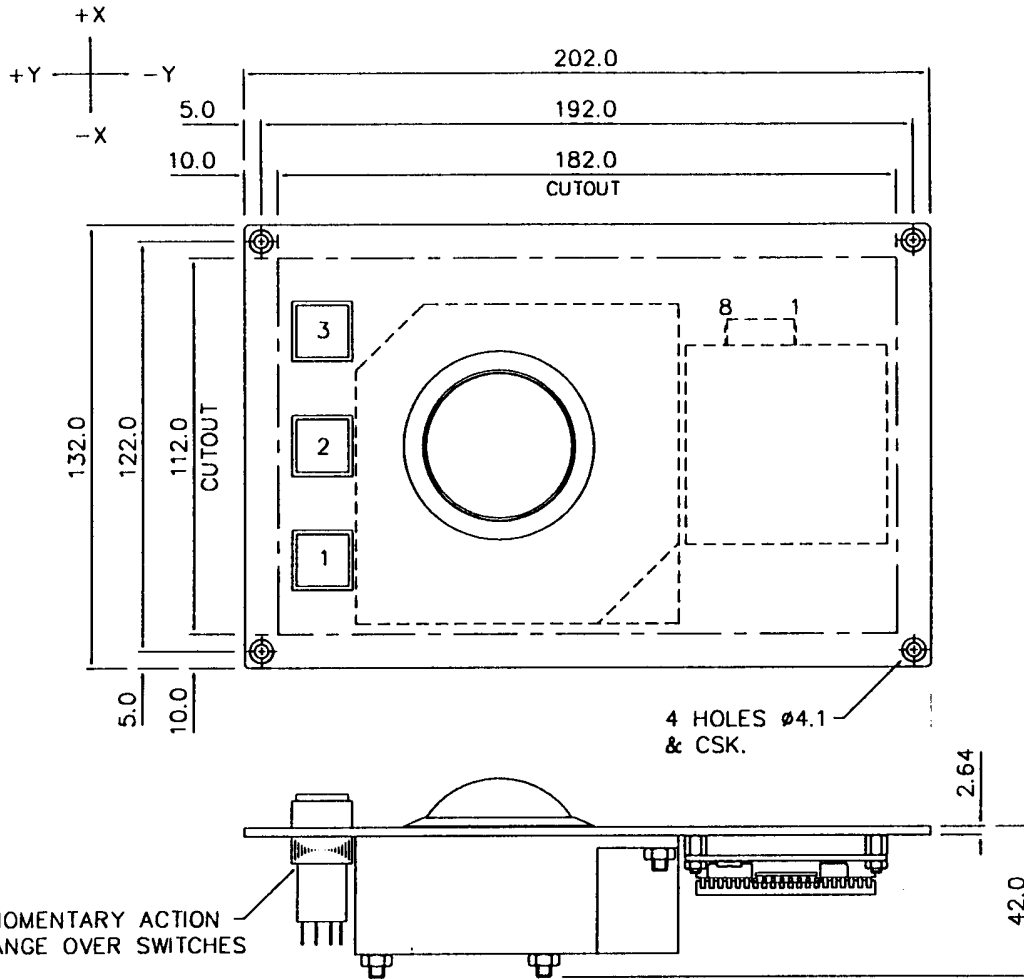
DRAWING NUMBER
DS48245

3rd ANGLE PROJECTION

USED ON

D or
CAT.No

M.A./S.A.



SPECIFICATION

BALL ~ Ø2.0", COLOUR: YELLOW.
 FACIA ~ 12 SWG MILD STEEL, ZINC PLATED & POWDER COATED TO BS00 A 07, FINE MATT TEXTURE.
 CONNECTOR ~ 8 WAY, 2.5mm PITCH, SQ PIN, 90° HEADER (MOLEX 5046 SERIES).
 SUPPLY ~ +5V D.C ±5% @ 150mA.
 OUTPUT ~ PS2 AUXILIARY INPUT COMPATIBLE.

CONNECTION DETAILS

PIN	DESCRIPTION
1	0V GND
2	+5V
3	DATA
4	CLOCK
5	N/C
6	N/C
7	N/C
8	N/C

APP.	MATERIAL	FINISH	TOL.	SCALE -	ISSUE	1	2	3				
	-	-	±0.5	DIMNS MM	DATE	24.9.91	15.10.91	22.2.95				
CHKD.					CHANGE	CH216	CH216.2	CH216.3				
DRAWN	PENNY + GILES Penny & Giles Computer Products LTD Christchurch Dorset. Tel (0202) 481751				TITLE 2" FACIA MOUNTED TRACKERBALL (FMTB1/2) PS2 COMPATIBLE			SIZE	DRAWING NUMBER			
R.HARNETT								A3	DS48245			