

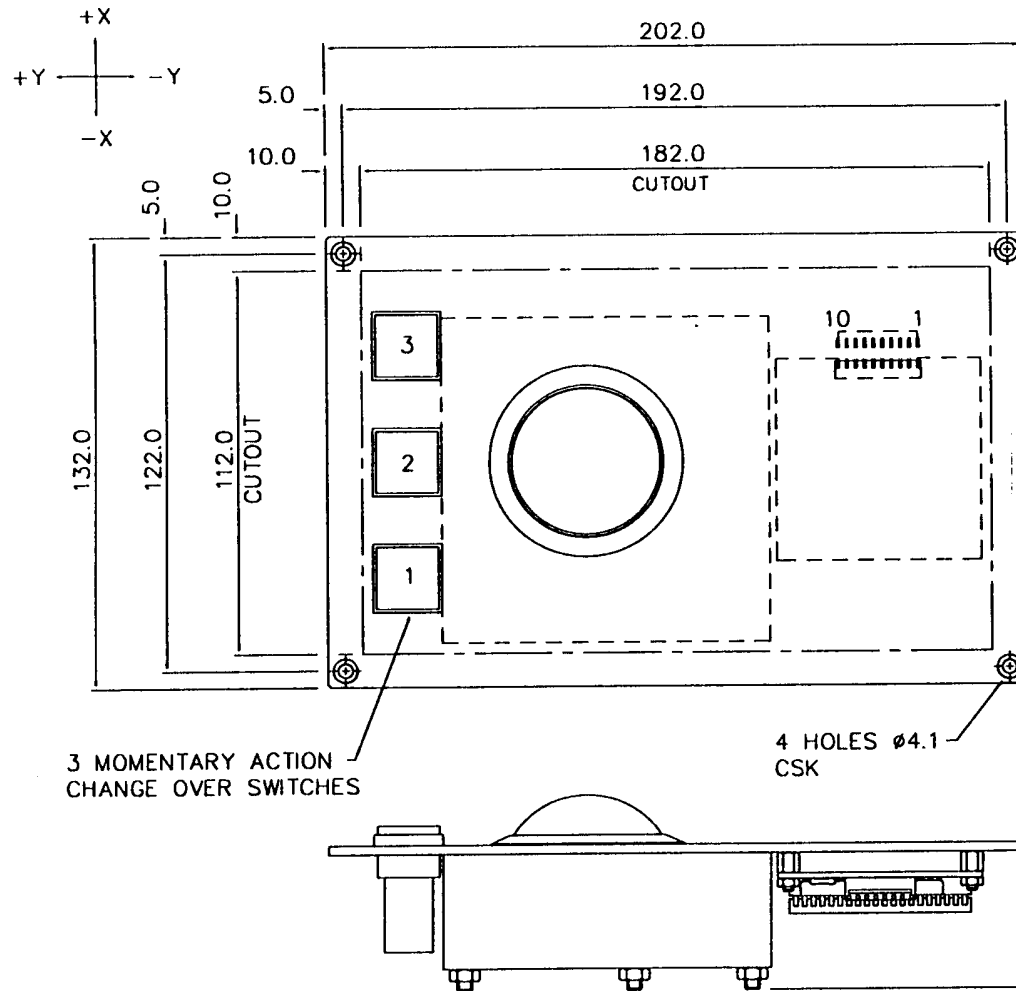
DRAWING NUMBER
DS48249

3rd ANGLE PROJECTION

USED ON

D or
CAT.No

M.A./S.A.



SPECIFICATION

BALL ~ $\phi 2.0"$, COLOUR: YELLOW.
 FACIA ~ 12 SWG MILD STEEL, ZINC PLATE & PAINT GREY (BS00 A 07).
 CONNECTOR ~ 10 WAY MALE SQ PIN 2.54mm PITCH HEADER.
 SUPPLY ~ +5V D.C $\pm 5\%$ @ 320mA.
 OUTPUT ~ TTL (INVERTED), FORMAT 19 (MOUSE SYSTEMS), 1200 BAUD.

CONNECTION DETAILS

PIN	DESCRIPTION
1	0V GND
2	+5V
3	TX
4	RX
5	N/C
6	BUSY
7	INTERNAL
8	SWITCH 1
9	SWITCH 2
10	SWITCH 3

3 MOMENTARY ACTION
CHANGE OVER SWITCHES

4 HOLES $\phi 4.1$
CSK

2.64

42.0

APP.	MATERIAL	FINISH	TOL.	SCALE	ISSUE	1	2						
	-	-	± 0.5	-	DATE	15.4.91	25.9.92						
CHKD.				DIMNS	CHANGE	CH169	CH169.2						
DRAWN	Penny & Giles Computer Products LTD Christchurch Dorset. Tel (0202) 481751				TITLE	2" FACIA MOUNTED TRACKERBALL SUN COMPATIBLE		SIZE	DRAWING NUMBER				
R.HARNETT								A3	DS48249				