

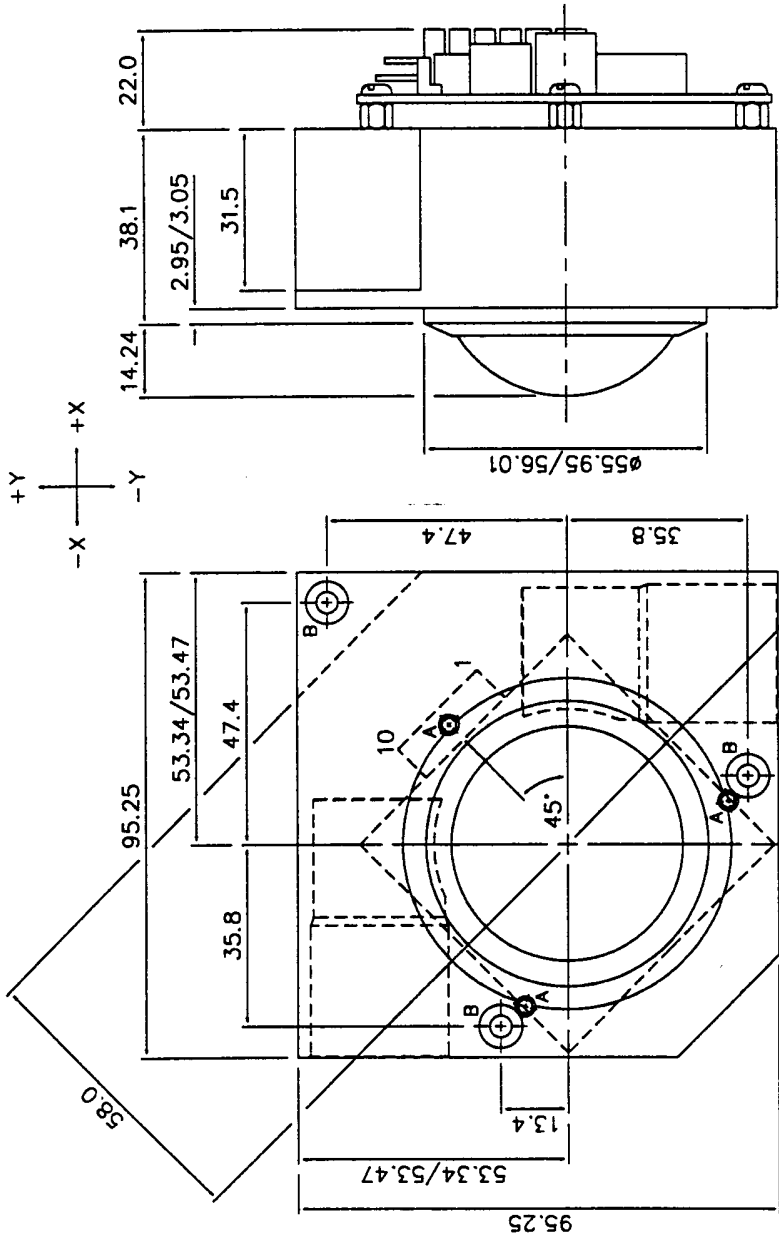
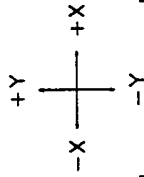
DRAWING NUMBER  
DS48272

3rd ANGLE PROJECTION

USED ON

D or  
CAT.No

M.A./S.A.



MOUNTING HOLE DETAILS:  
HOLES A: M4 x 0.7, DEPTH  
10.0, EQUI SPACED ON 66.1  
PCD (3 OFF).  
HOLES B:  $\phi$ 4.3 & C'BORED  
 $\phi$ 8.5 x 1.5 DEEP (3 OFF).

**SPECIFICATION**  
BALL  $\phi$ 2.0", COLOUR: YELLOW.  
CHASSIS ~ CHROMIC ANODISED, HE30 ALUMINUM ALLOY.  
RESOLUTION ~ 200 COUNTS/BALL REV.  
CONNECTOR ~ 10 WAY SQ PIN, 2.5 PITCH, RIGHT ANGLE HEADER, (MOLEX 5046 SERIES).  
SUPPLY: ~ +5V D.C  $\pm$ 5%.  
VOLTAGE ~ 320mA MAX.  
CURRENT ~ RS232 LEVELS, FORMAT 22  
OUTPUT (MICROSOFT), 1200 BAUD.

**CONNECTION DETAILS**

PIN	DESCRIPTION
1	0V GND
2	+5V
3	TX
4	RX
5	N/C
6	BUSY
7	N/C
8	SWITCH 1
9	SWITCH 2
10	SWITCH 3

**MICROSOFT\_MOUSE\_FORMAT**

BITS	7	6	5	4	3	2	1	0
BYTE 1	1	1	L	R	Y7	Y6	X7	X6
BYTE 2	1	0	X5	X4	X3	X2	X1	X0
BYTE 3	1	0	Y5	Y4	Y3	Y2	Y1	Y0
X0 - X7	= X DIST				8 BIT TWO'S COMPLIMENT, -128 TO +127			
Y0 - Y7	= Y DIST				8 BIT TWO'S COMPLIMENT, -128 TO +127			

APP.	MATERIAL	FINISH	SEE NOTES	TOL.	SCALE	1:1	ISSUE	1	1A
CHKD.	SEE NOTES	SEE NOTES	$\pm$ 0.5	DIMNS	MM	DATE	25.8.92	CHANGE	CH314
DRAWN	Penny & Giles			Computer Products LTD		TITLE		2" PANEL MOUNTED SERIAL TRACKERBALL (PMSTB1/2)	
A.M.S	Penny & Giles			Christchurch Dorset.		DRAWING NUMBER		DS48272	
				Tel (0202) 481751		SIZE		A3	