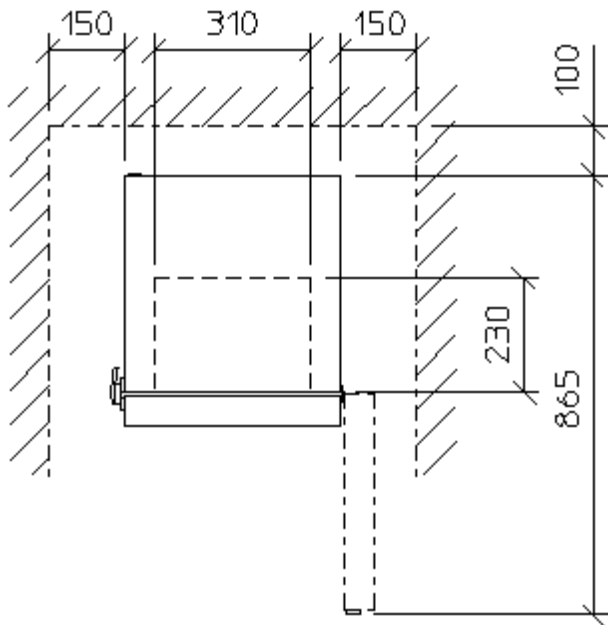
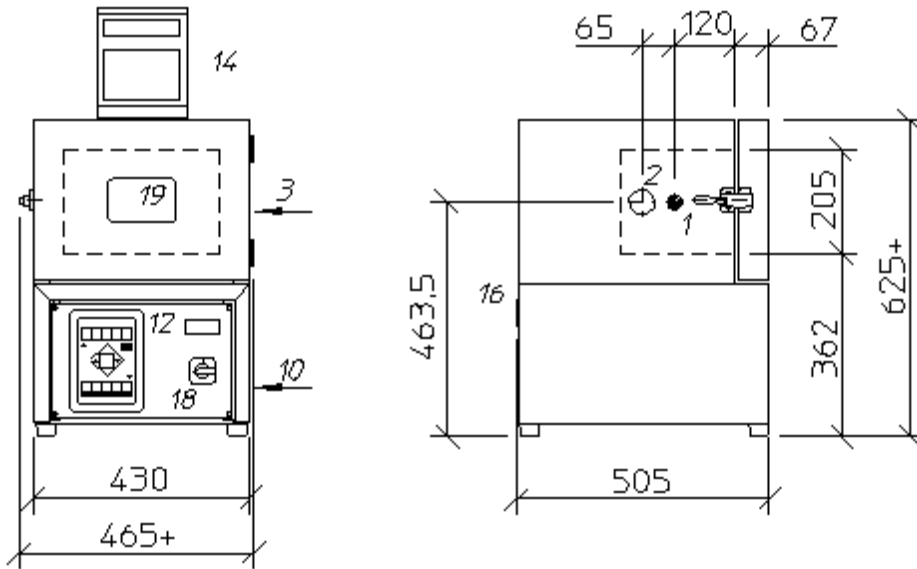


# Layout VT 4002



- Entry port NW 25 mm installed in basic equipment
- Entry port NW 50 mm\* additional installation position
- 1-3 Number of installation positions
- 4-9 Not assigned
- 10 Connector panel
- 11 Not assigned
- 12 E4-Terminal
- 13 Not assigned
- 14 C-Terminal\*
- 15 Not assigned
- 16 Power supply, length of cable approx. 5 m
- 17 Not assigned
- 18 Main switch and adjustable operating temperature limiter\*
- 19 Door with window

+ For narrow entry openings components (e.g. hinges) may be screwed off to minimize width.

\*optional accessory