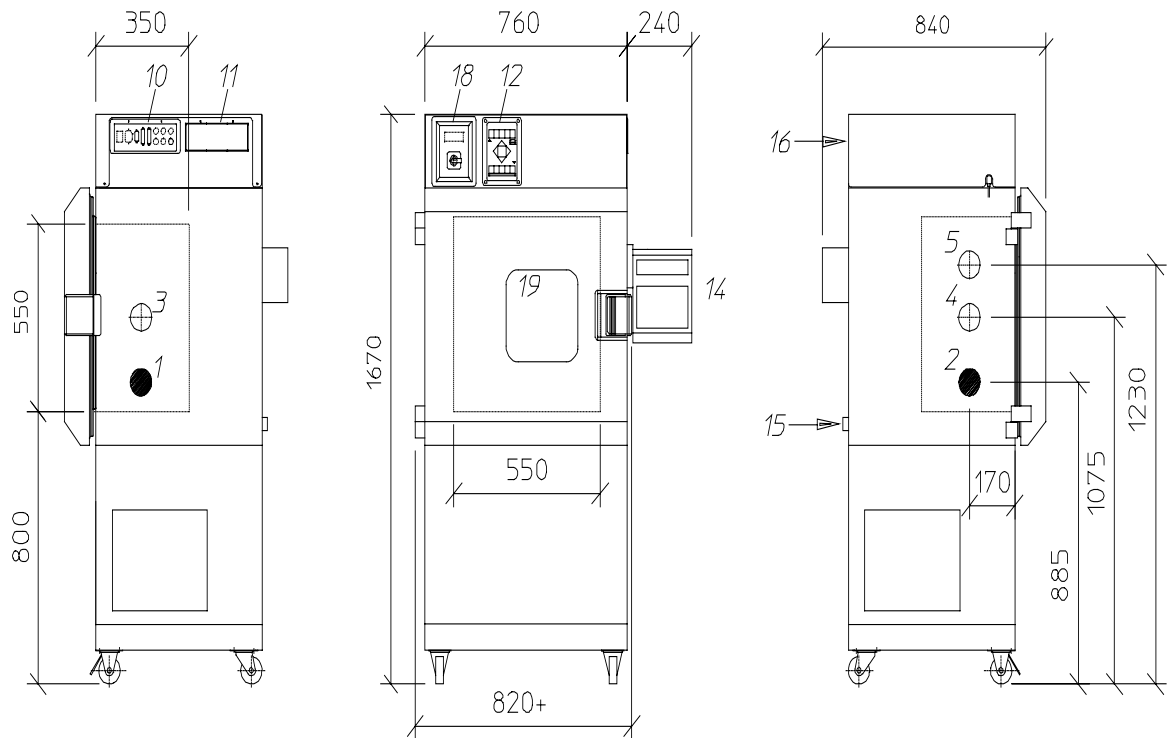
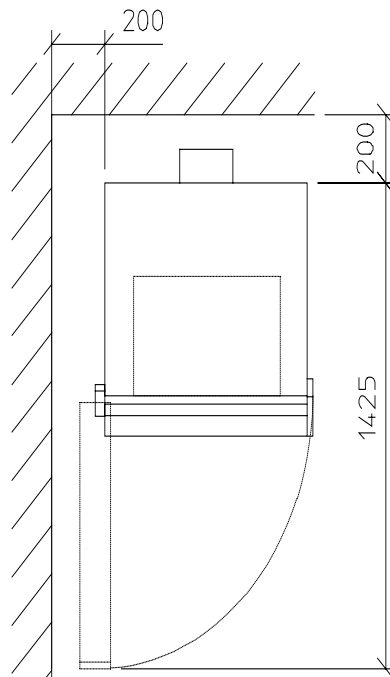


Layout VT 4010



- Entry port NW 80 mm installed in basic equipment
- Entry port NW 50 mm*, NW 80 mm* or NW 125 mm* additional installation position
- 1-5 Number of installation positions
- 10 Connector panel
- 11 Connector panel*
- 12 Control panel
- 14 Control panel CTC-C* (C-Terminal)
- 15 Position of supply connections
- 16 Power supply, cable approx. 4,5 m long
- 18 Main switch with adjustable operating temperature limiter*
- 19 Door with window*



Datei: APL12685 14.11.94 hb

+ For narrow entry openings components (e.g. hinges) may be screwed off to minimize width.

* optional accessory